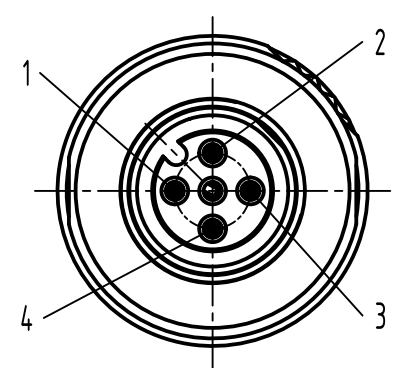
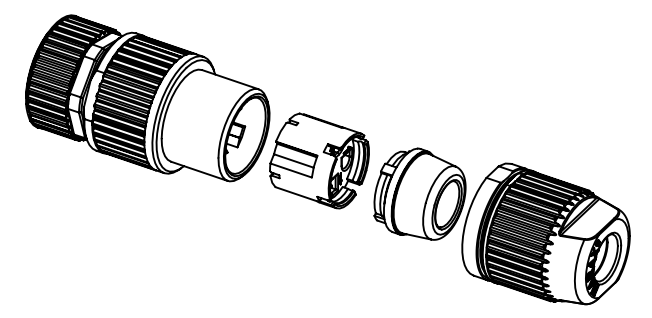


contact face based on
IEC 61076-2-101
A (2:1)



cable outside diameter	conductor cross section
6,0mm - 8,0mm	AWG22 - AWG18 0,34mm ² - 0,75mm ²



	All rights reserved Department EL PD	All Dimensions in mm Original Size DIN A4		Scale 1:1	Free size tol.	Ref.
		Created by HASSE	Inspected by 104.122	Standardisation	Date 2021-12-15	State Final Release
HARTING D-32339 Espelkamp		Title M12-L-CC-IDC-4P-ACOD-F-STR			Doc-Key / ECM-Nr. 100190992/UGD/002/E 500000207119	
		Type TB	Number 21032122305		Rev. E	Page 1/1